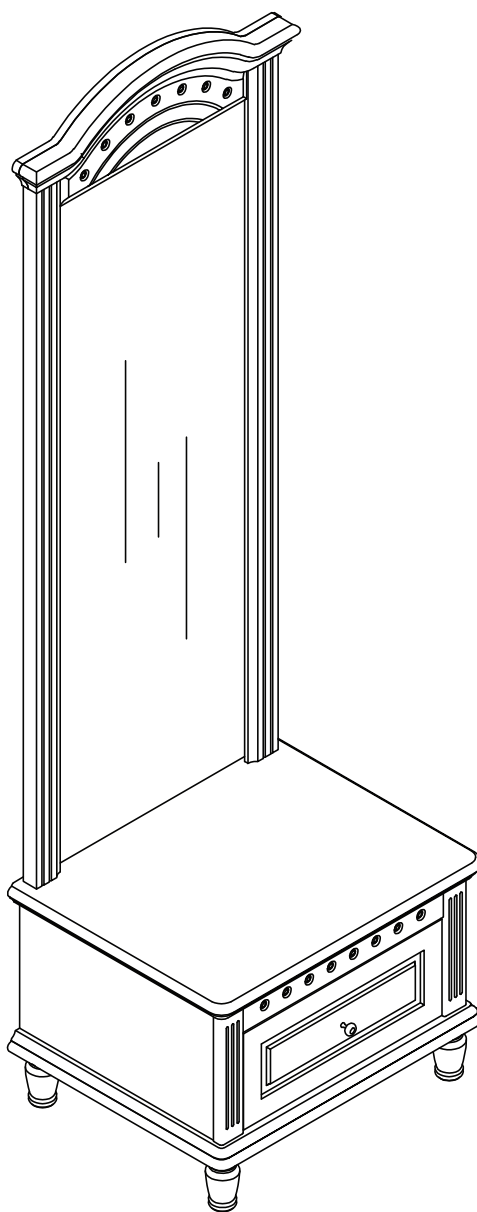
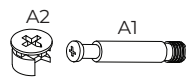
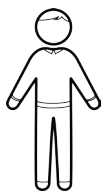
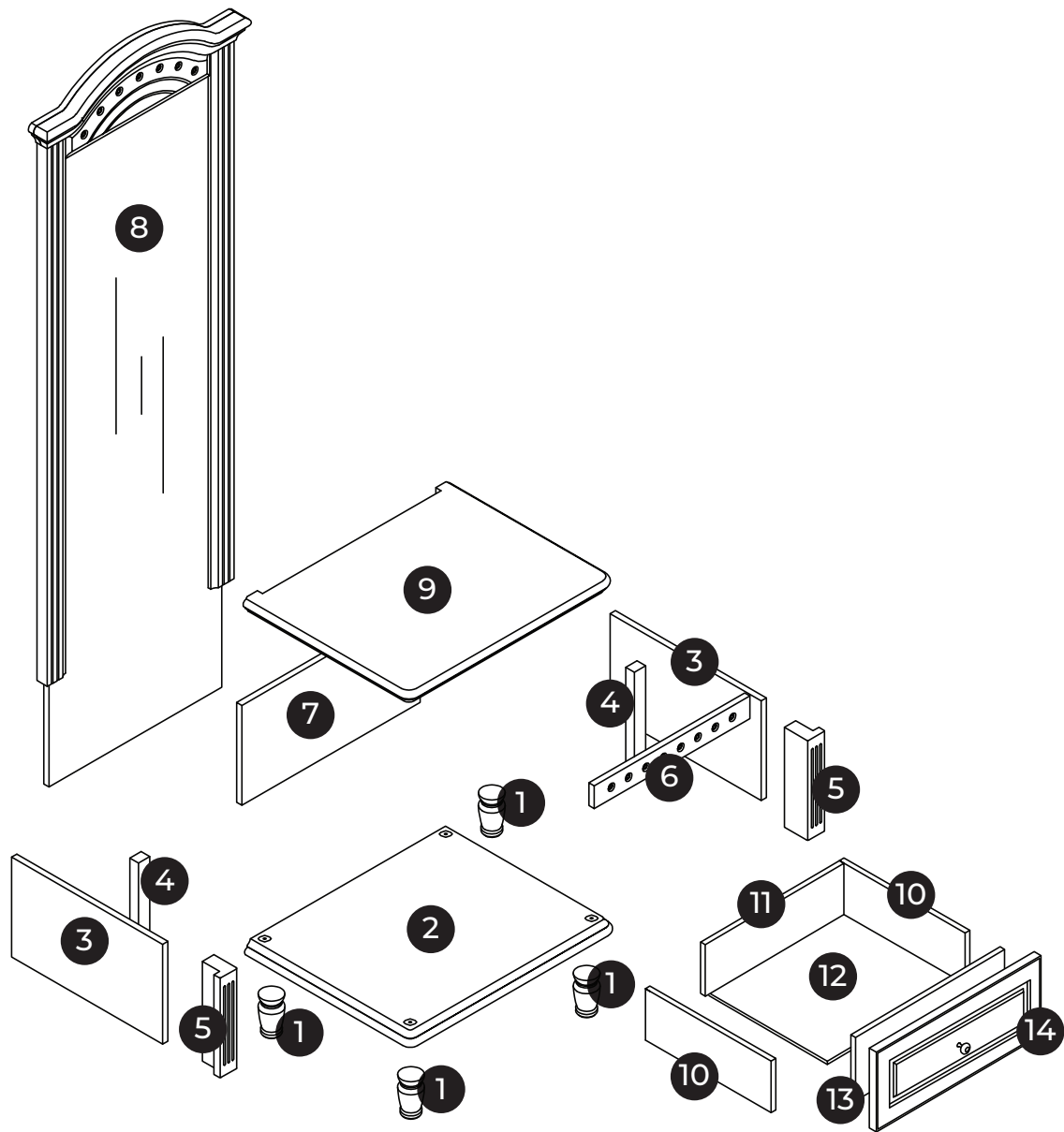


# 818

600 x 480 x 1900 mm



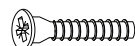
**BEMONDI**



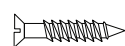
**A x14**  
 Ø 15 mm



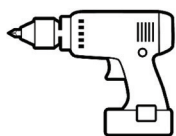
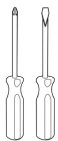
**B x17**  
 Ø 8 x 30 mm



**C x3**  
 Ø 7 x 38 mm



**D x8**  
 Ø 3,5 x 35 mm



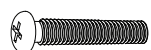
**E x4**  
 Ø 3,5 x 15 mm



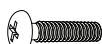
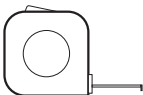
**F x4**  
 Ø 3,5 x 12 mm



**G x8**  
 Ø 6 x 50 mm



**H x4**  
 Ø 8 x 50 mm



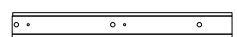
**I x2**  
 Ø 6 x 20 mm



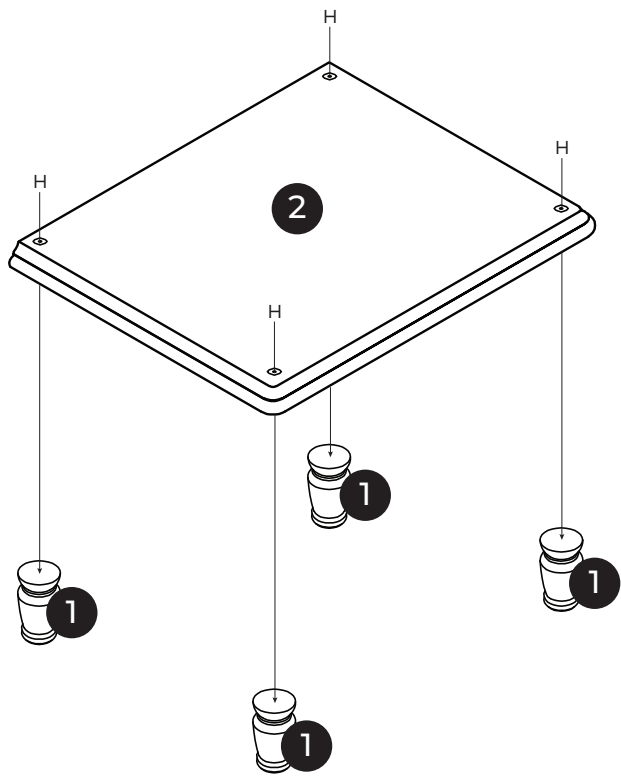
**J x1**  
 Ø 4 x 20 mm



**K x1**

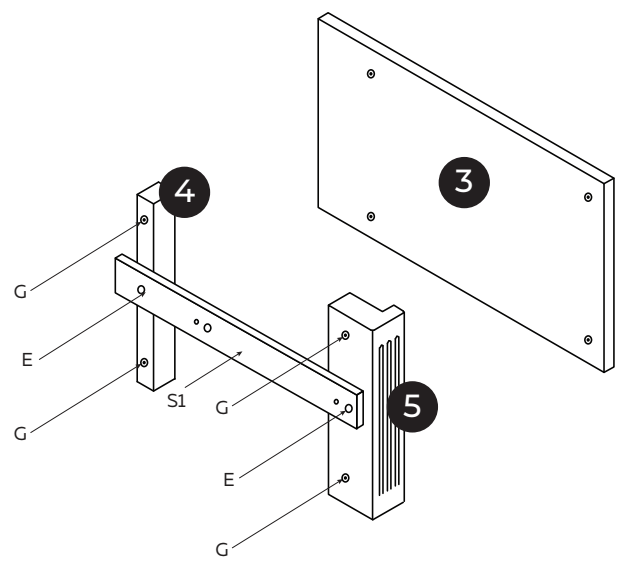
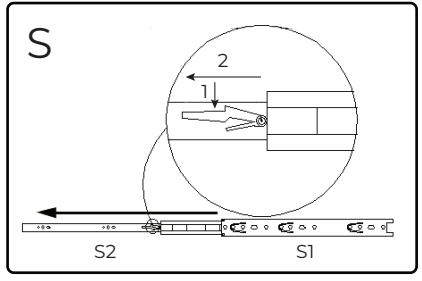
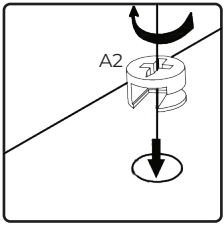
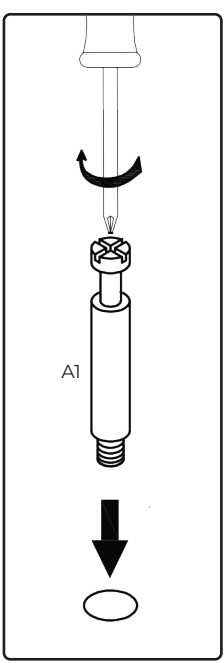


**S x2**  
 300 x 35 mm

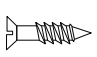


H  x4

1



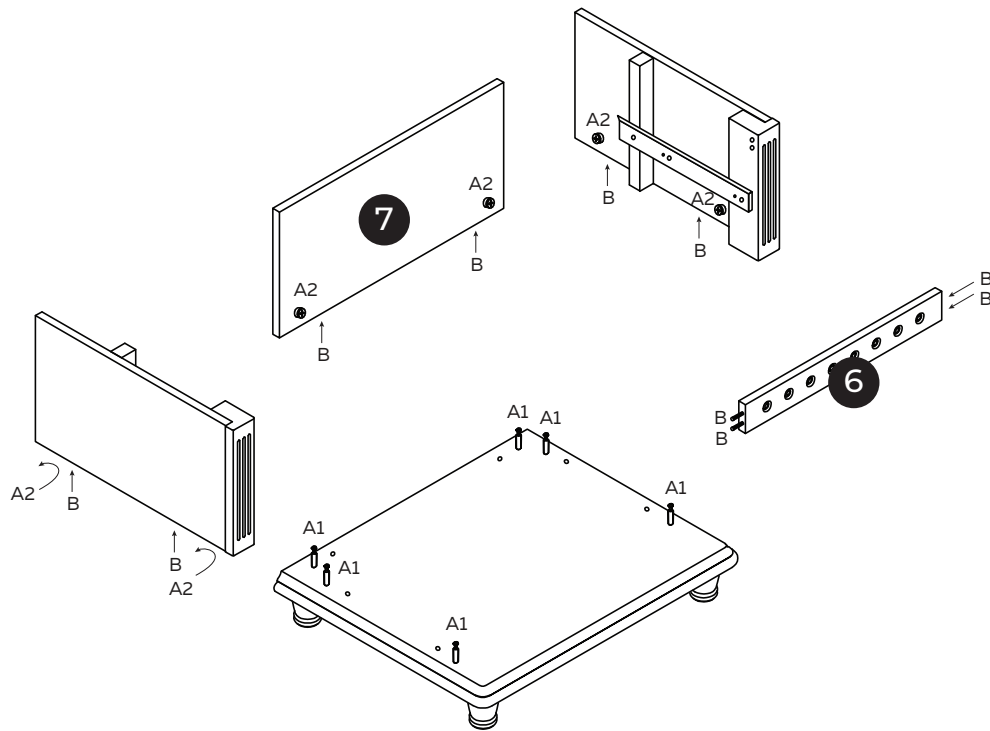
x2


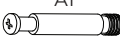
E  x4

G  x8

S1  x2

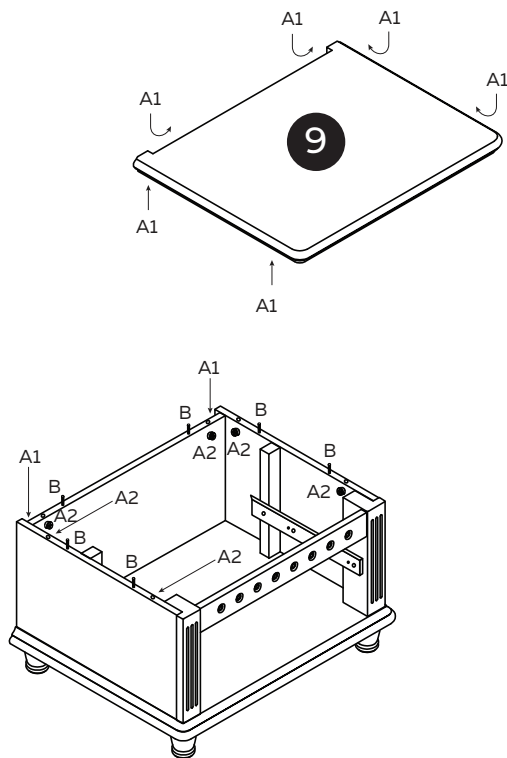
2


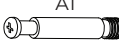


A   x6

B  x10

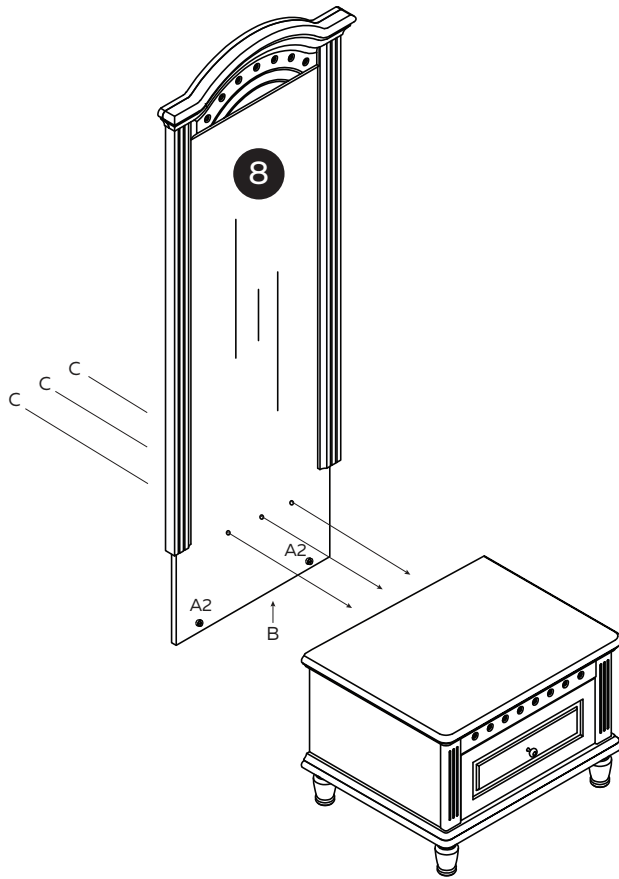
3





A   x6


B  x6

4

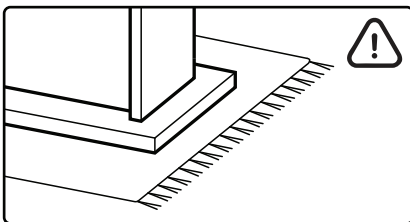
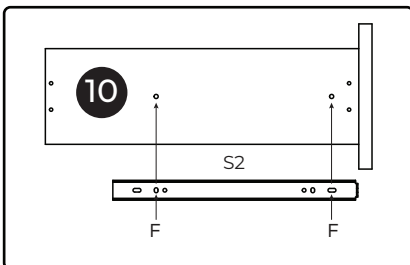


A   x2

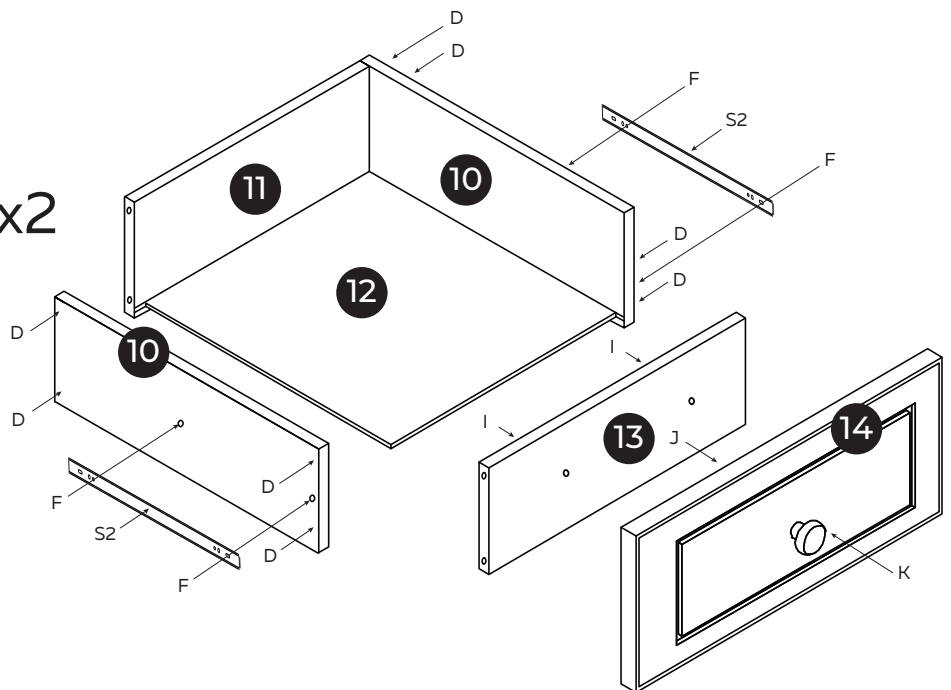
B  x1

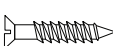
C  x3


5



x2




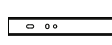
D  x8

F  x4

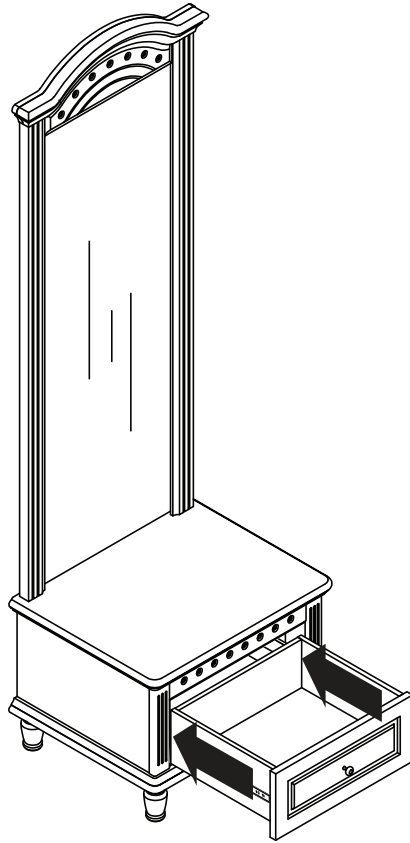
I  x2

J  x1

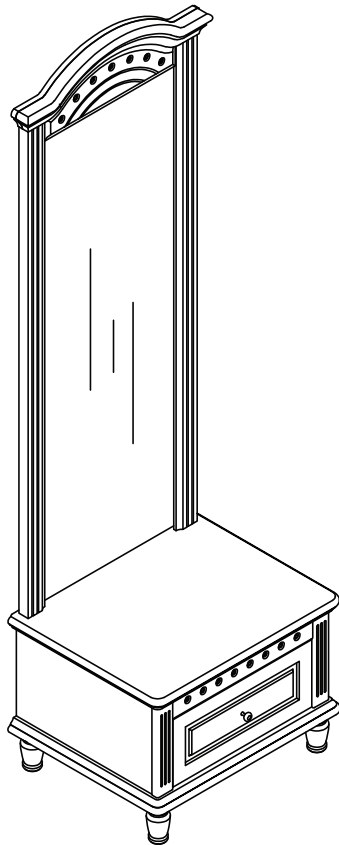
K  x1

S2  x2

6



7



6