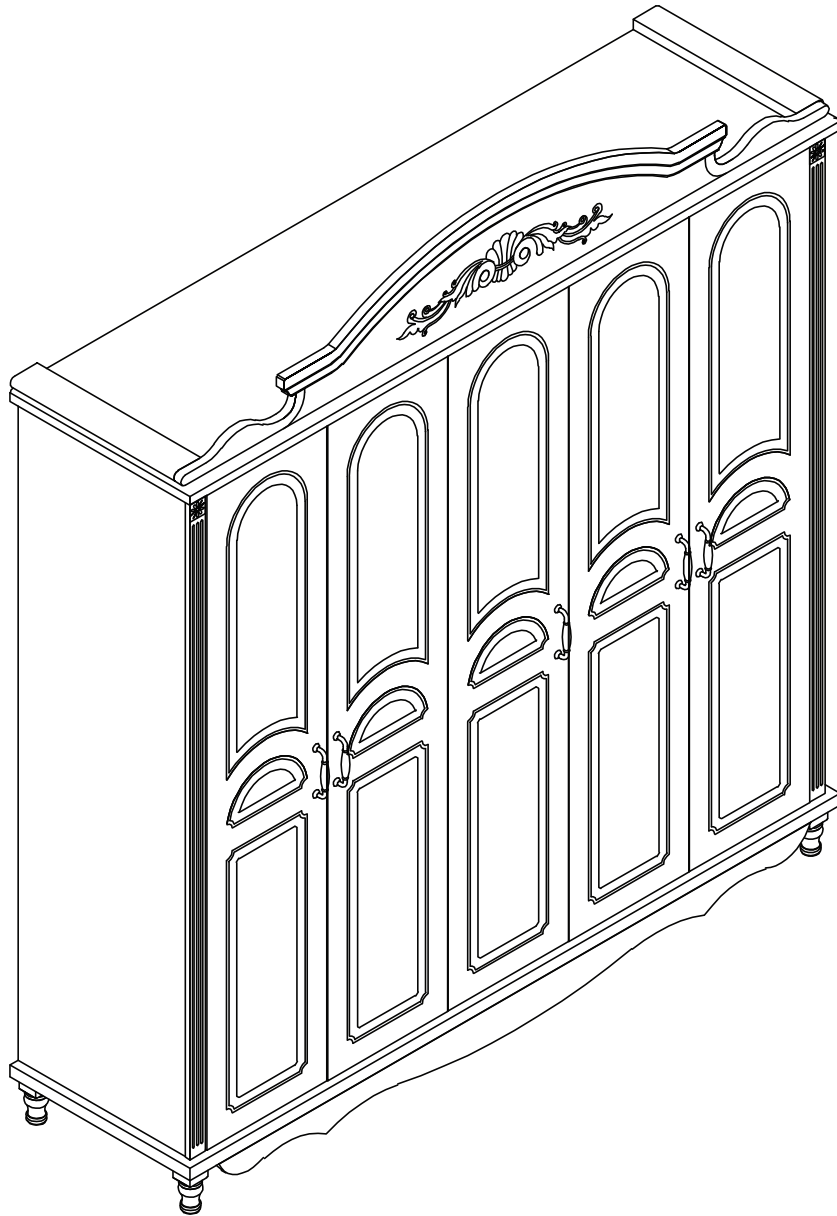
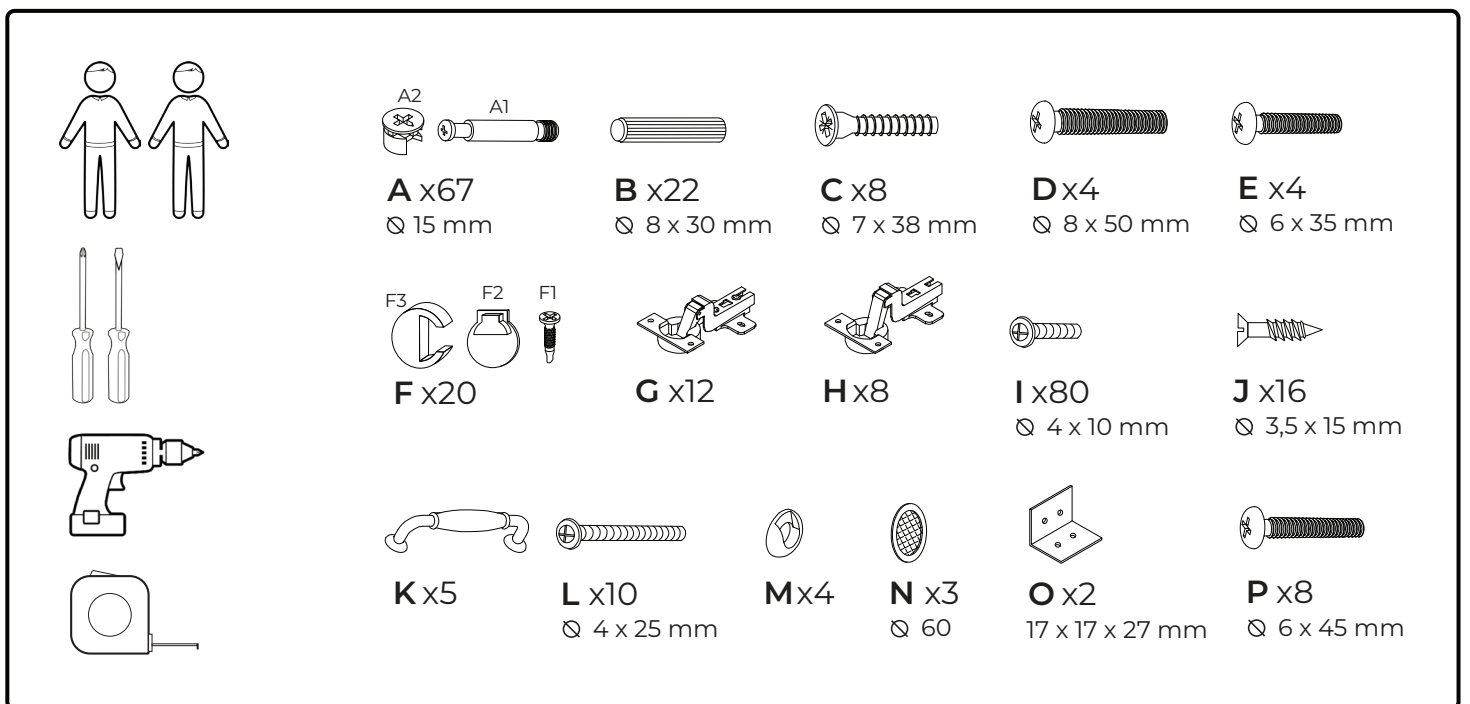
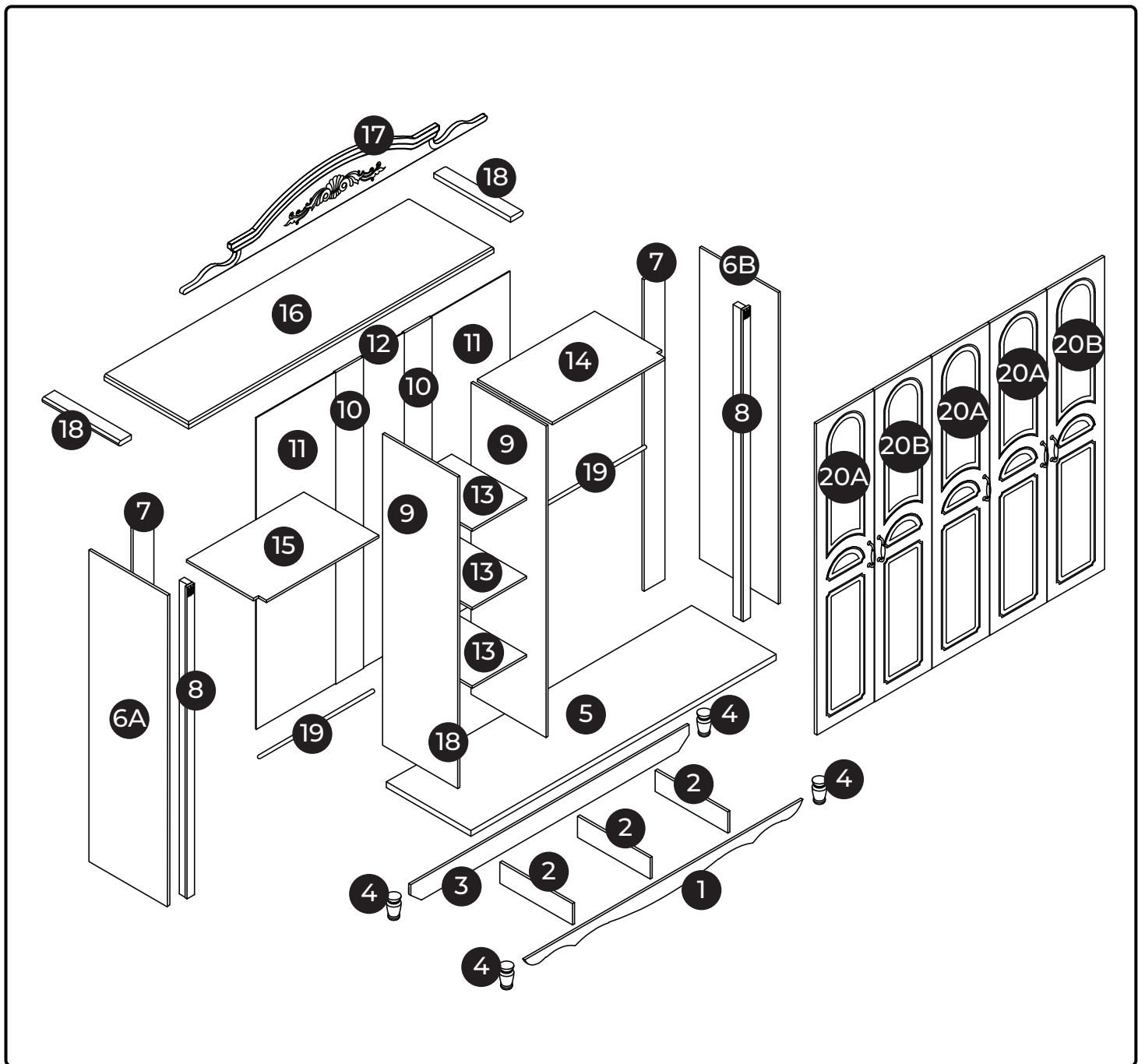


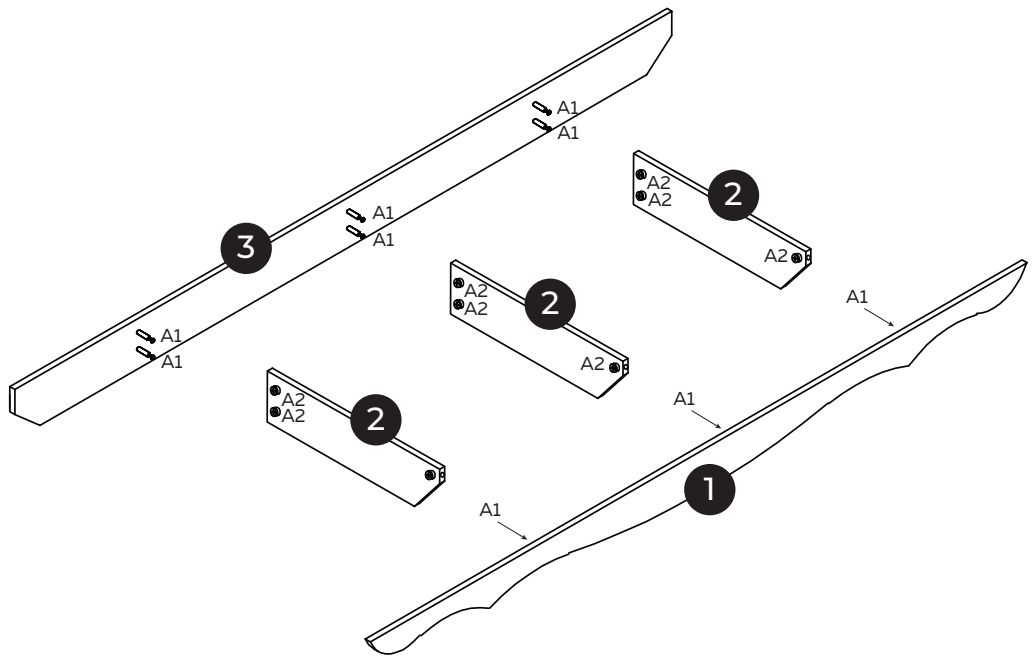
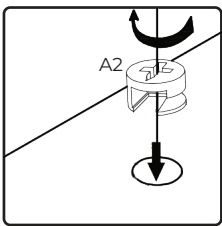
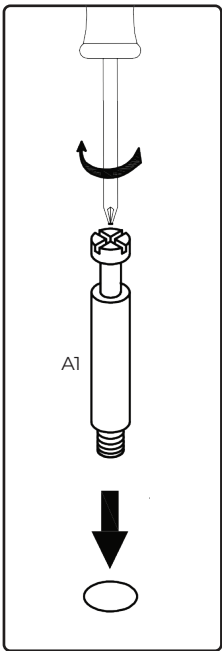
893


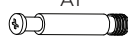
2150 x 600 x 2400 mm



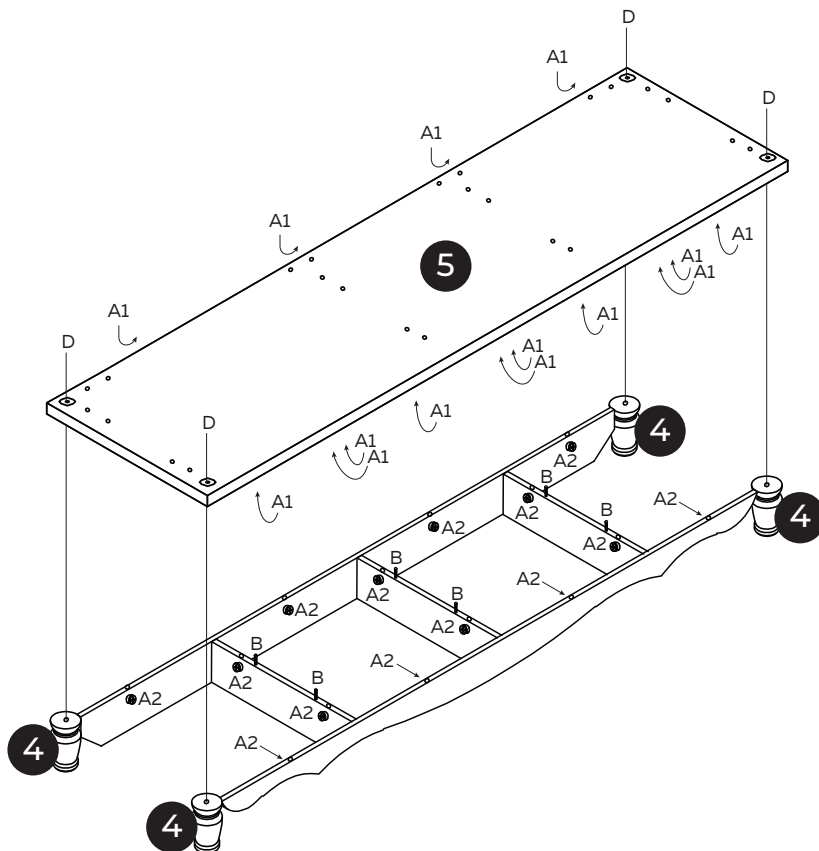
BEMONDI


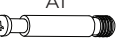





A   x9

1

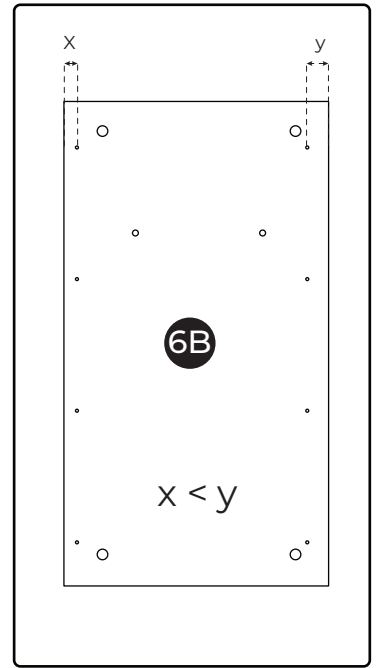
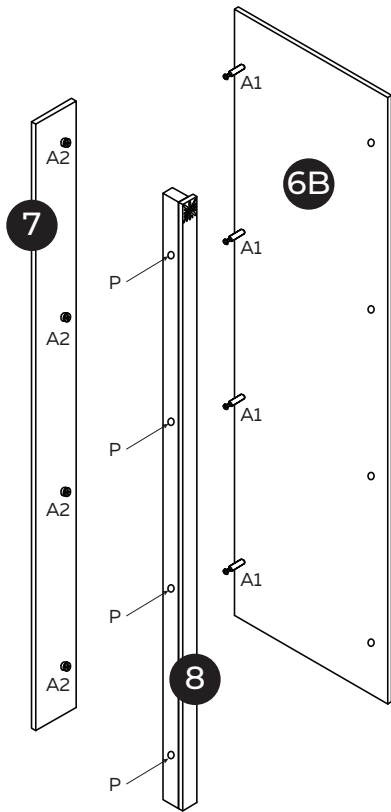
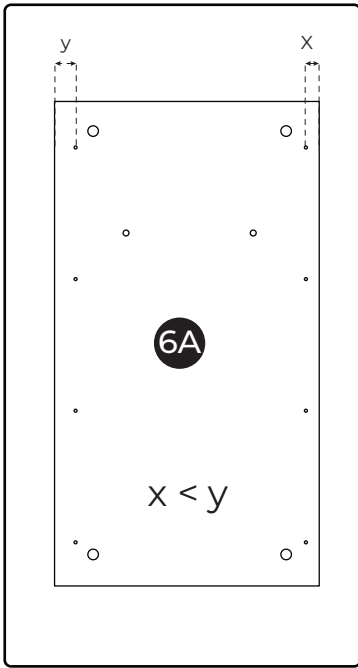


A   x14


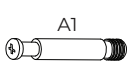
B  x6

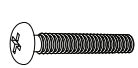
D  x4

2

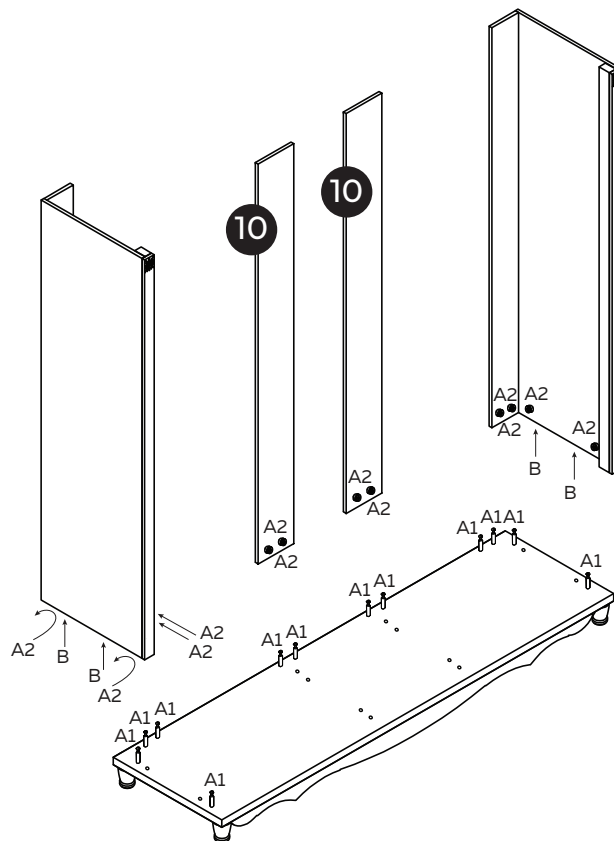
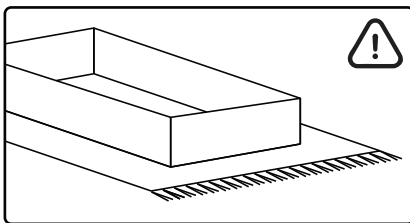



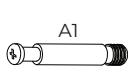
x2

A   x8

P  x8

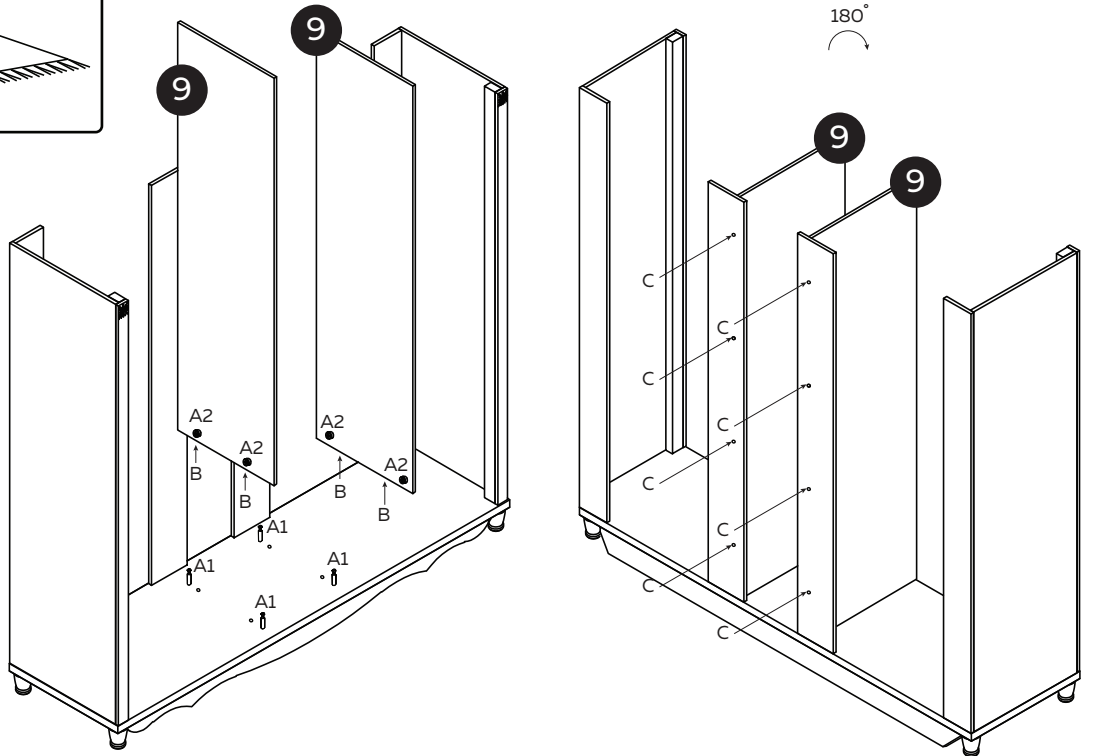
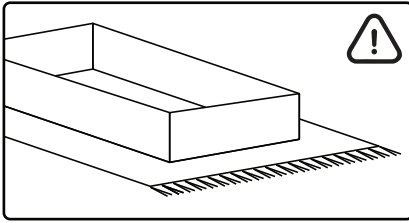
3


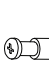


A   x12


B  x4

4

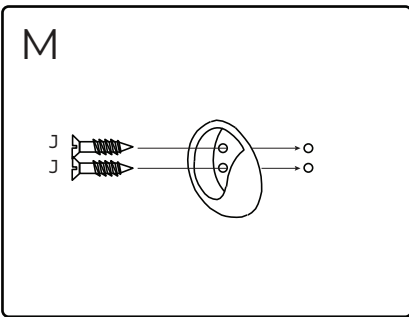
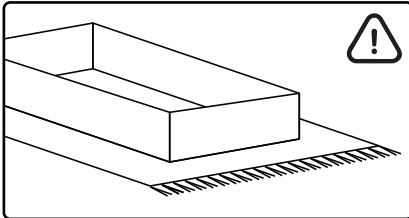


A   x4

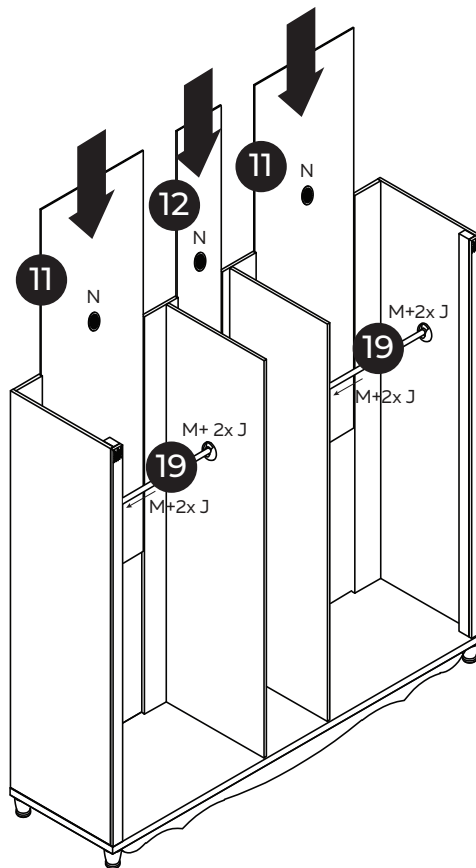
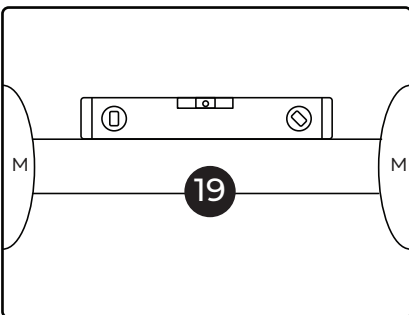
B  x4

C  x8

5



x4

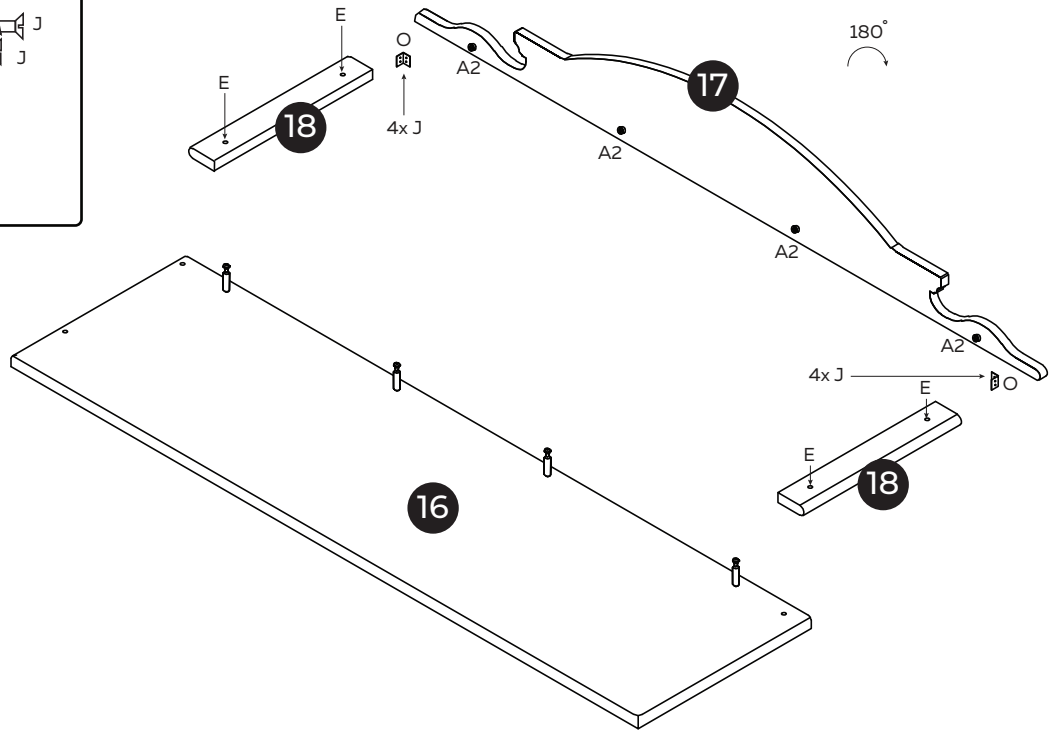
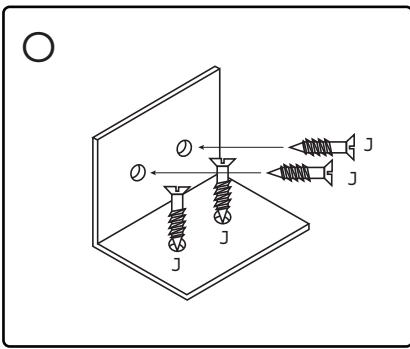



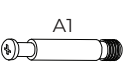
J  x8

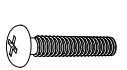
N  x3

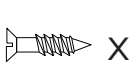
M  x4

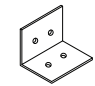
6



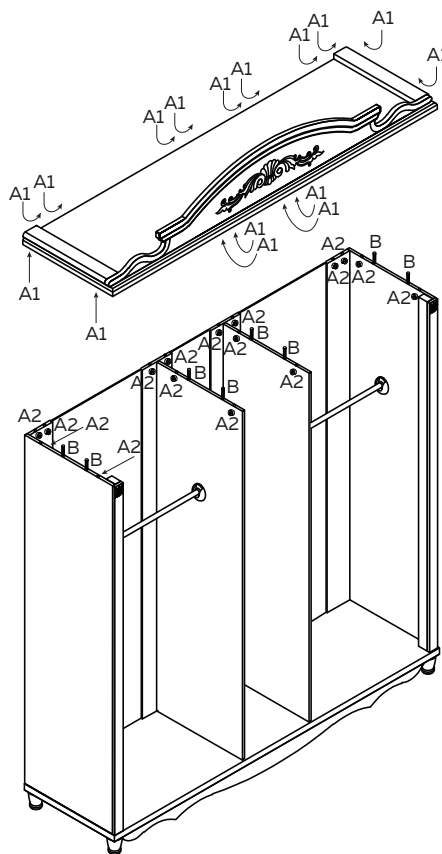
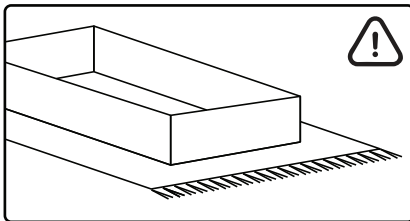
A   x4


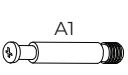
E  x4

J  x8

O  x2

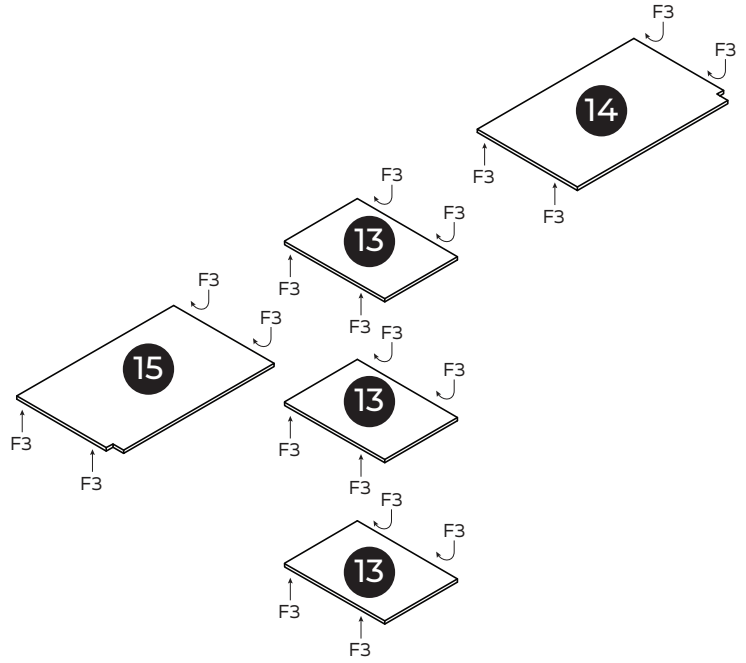
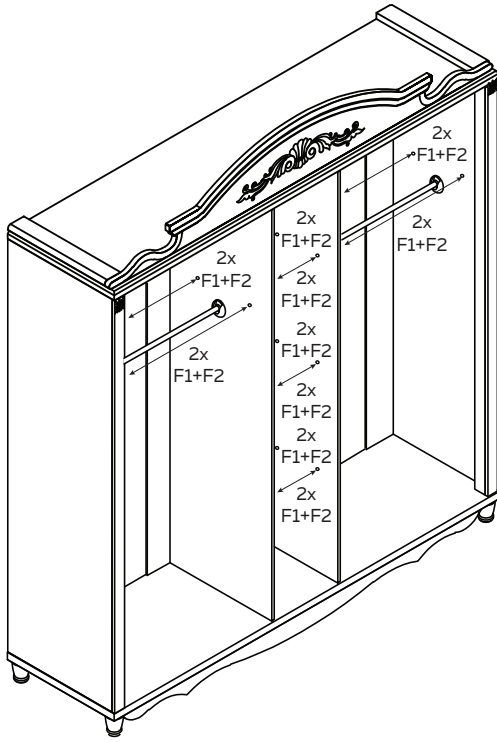
7






A   x16

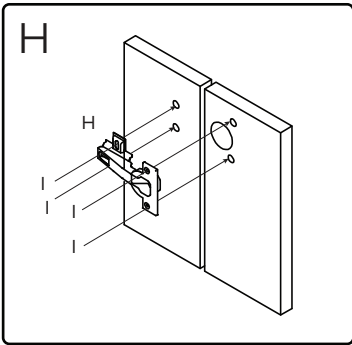
B  x8

8

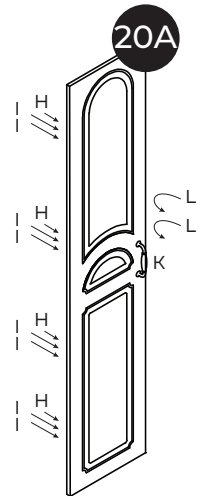
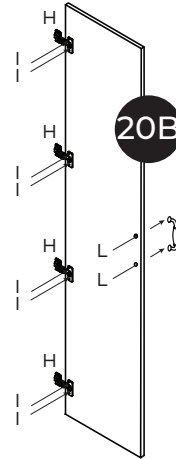
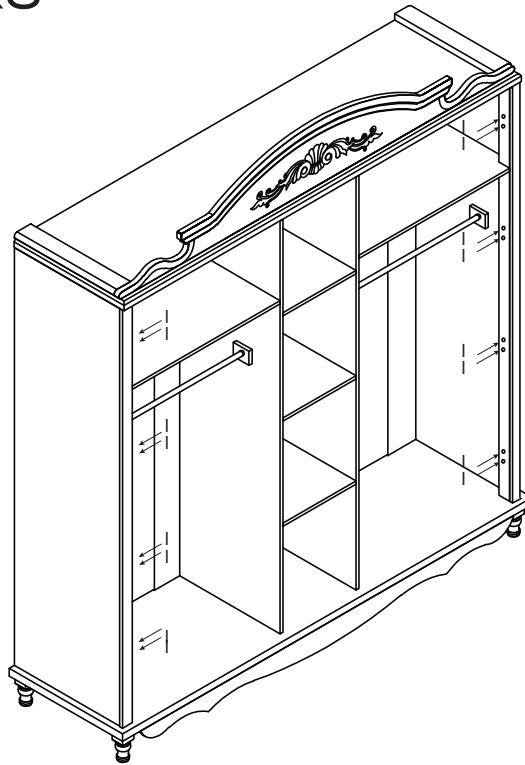



F ^{F3}    x20

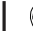
9



x8



H  x8

I  x32

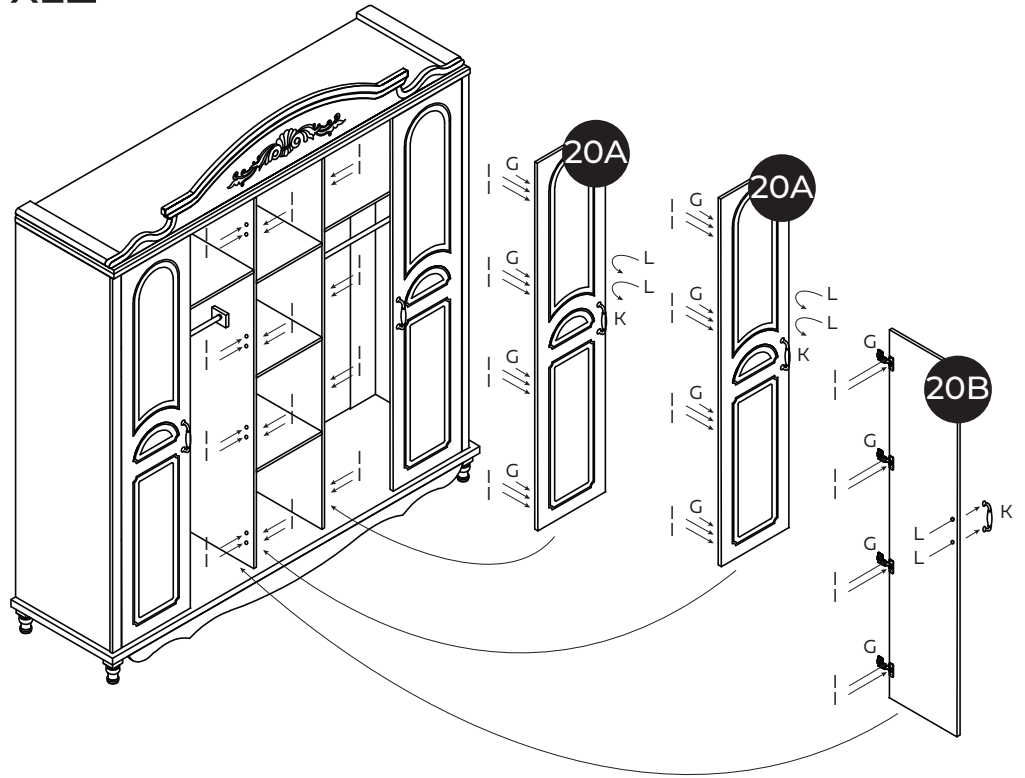
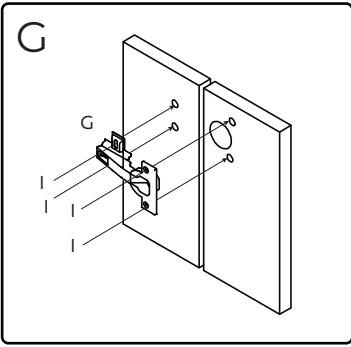
K  x2

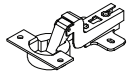
L  x4


10

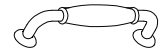
G


x12



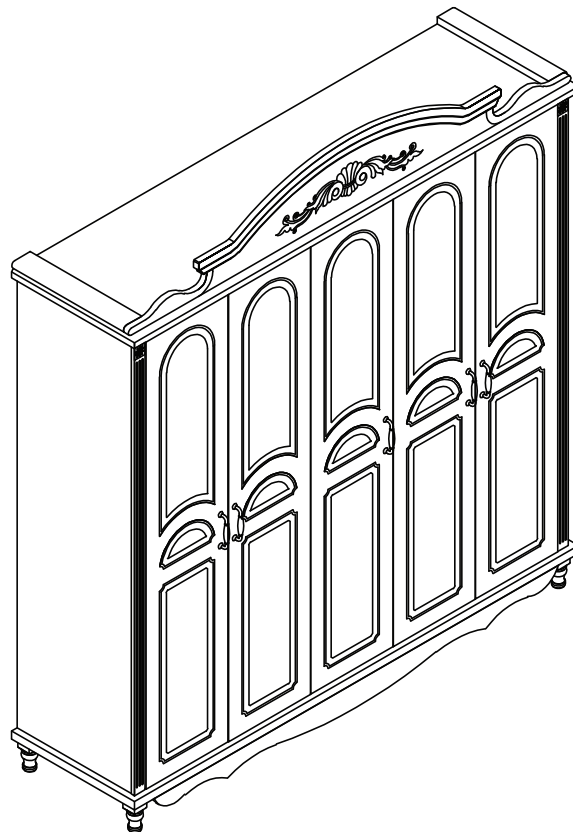
G  x12

I  x48

K  x3

L  x6

11



12